

# Nexus<sup>®</sup> 1500+ Power Meter Assembly

NEMA 1  
Indoor-Rated



- For Retrofit Meter Solutions
- Pre-Wired and Configured
- Extends Switchgear Capability
- Eliminates Wiring and Installation Errors

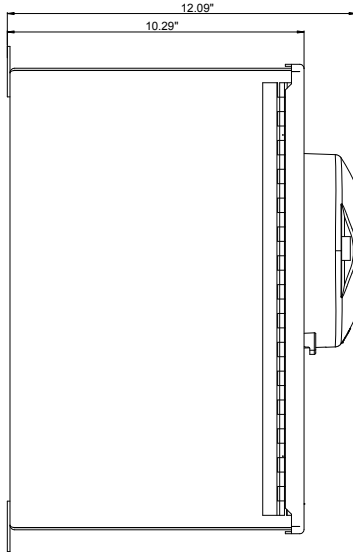
## Description

EIG's Nexus<sup>®</sup> 1500+ meter in enclosure lets you expand your switchgear capability without expensive and time-consuming redesign. Simply mount and wire the enclosure next to your switchgear and you are ready to go, with no downtime at all! This is a perfect solution for a retrofit when there is no metering compartment available.

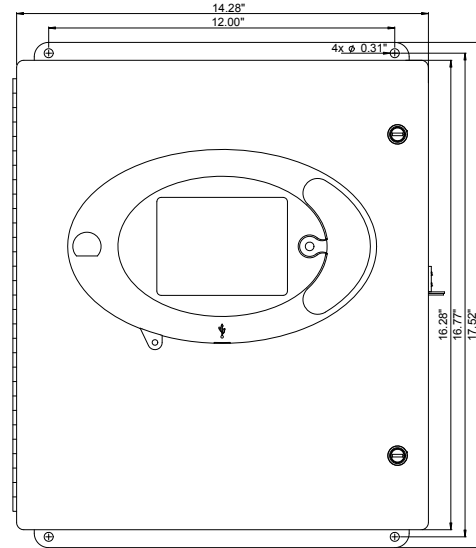
The meter comes standard with a NEMA 1 indoor enclosure and is factory wired with the meter installed. Standard equipment includes voltage fuses, a shorting block for current transformers, and a control power transformer if used with 277/480 V power systems.

It is offered in three voltage configurations:

- 277 - 277/480 V AC enclosure (comes equipped with a control power transformer)
- 120 - (120-240)V AC/DC enclosure
- 24 - (18-60)V DC enclosure

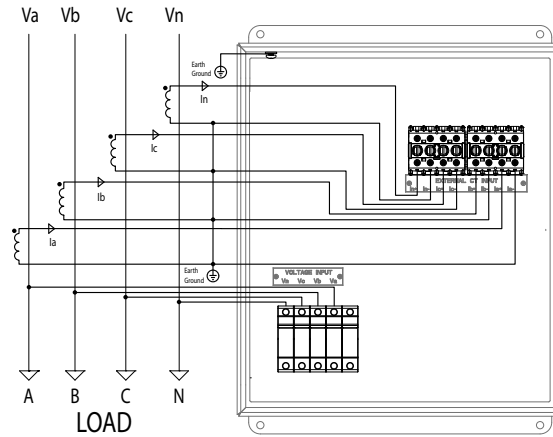


**ENCNX1500+ Side Dimensions**



**ENCNX1500+ Front Dimensions**

**WIRING DIAGRAM**



**Typical Wiring for WYE Hookup**

All fields must be filled in to create a valid part number.

Model	Power System	Power Supply	Frequency Range	Current Class	Virtual Switch	Communication Expansion/Slot 1	I/O Slot 2	I/O Slot 3	I/O Slot 4
Option Numbers:	-	-	-	-	-	-	-	-	-
Example: ENCNX1500+	277	D2	50	20	V2	X	X	X	X
<b>ENCNX1500+</b> Nexus® 1500+ in NEMA1 Enclosure	<b>120</b> (120-240) V AC/DC  <b>277</b> 277/480 V AC  <b>24*</b> (18-60) V DC	<b>115AC</b> (100-240) V AC @50/60Hz  <b>D2</b> Universal, (90 to 265) V AC @50/60Hz or (100 to 370) V DC  <b>D*</b> (18-60) V DC	<b>50</b> 50 Hz System  <b>60</b> 60 Hz System	<b>20</b> 20 A  <b>2</b> 2 A	<b>V1</b> Standard Nexus® 1500+ Meter 512 MB Memory/ 512 s/c  <b>V2</b> V1 + 1 GB Memory 1024 s/c IEC 61850  <b>V3</b> V2 + 4 GB Memory 50 MHz Transient Recording	<b>X</b> No Option  <b>485P</b> 2 RS485 and 4 Pulse Outputs	<b>X</b> No Option  <b>NTRJ</b> Second RJ45 Network Card  <b>NTFO</b> Second Fiber Network Card (ST Terminated)	<b>X</b> No Option  <b>6RO1</b> 6 Relay Outputs  <b>16DI1</b> 16 Status Inputs	<b>X</b> No Option  <b>6RO1</b> 6 Relay Outputs  <b>16DI1</b> 16 Status Inputs

\* These options must be ordered together.



**Electro Industries/GaugeTech**  
1800 Shames Drive • Westbury, NY 11590  
**1-877-EIMETER** (1-877-346-3837) • **E-Mail:** sales@electroind.com  
**Tel:** 516-334-0870 • **Web Site:** www.electroind.com • **Fax:** 516-338-4741

<https://electroind.com/product-info/nexus1500plus-meter-in-enclosure>

