

Self-Enclosed Shark[®] Meter Assemblies

For Multi-function Shark[®] 50, 50B, 100, 100B, 200, or 250 Meters



NEMA 4X
Outdoor-Rated

NEMA 1
Indoor-Rated

- For Retrofit Meter Solutions
- Extends Switchgear Capability
- Pre-Wired and Configured
- Eliminates Wiring and Installation Errors

E-SINE
Engineering Solutions

UL US
LISTED
ELECTRICAL & ELECTRONIC
MEASURING & TEST EQUIP.
22CZ

ISO 9001:2008
REGISTERED FIRM

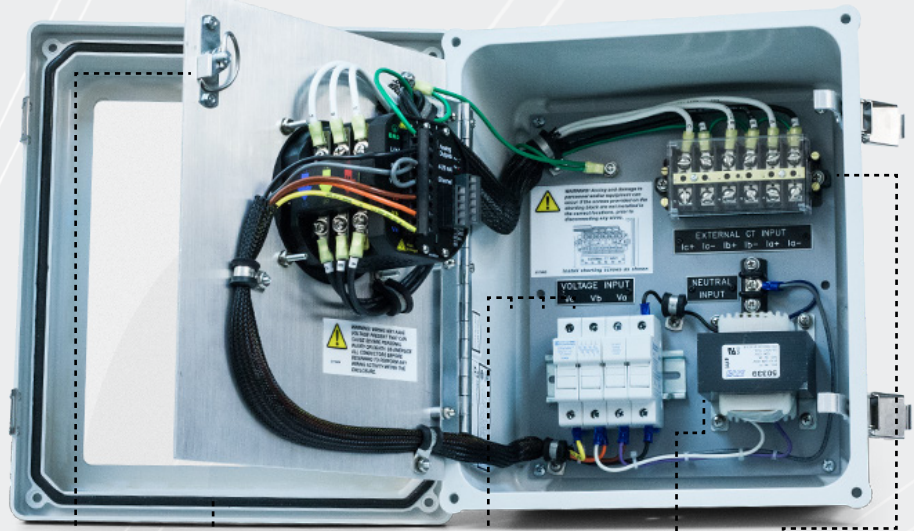
Description

EIG's Shark® meter in enclosure lets you expand your switchgear capability without expensive and time-consuming redesign. Simply mount and wire the enclosure next to your switchgear and you are ready to go, with no downtime at all!

This is a perfect solution for a retrofit when there is no metering compartment available. The meter comes standard with a NEMA 1 indoor enclosure or a NEMA 4X outdoor enclosure, and is factory wired with the meter installed. Standard equipment includes voltage fuses, a shorting block for current transformers, and a control power transformer if used with 277/480 V power systems.

The enclosure can be ordered with either the Shark® 50 multi-function meter, the Shark® 50B meter with native BACnet MS/TP, the Shark® 100 multi-function meter, the Shark® 100B meter with native BACnet/IP, or the

NEMA 4X Enclosure

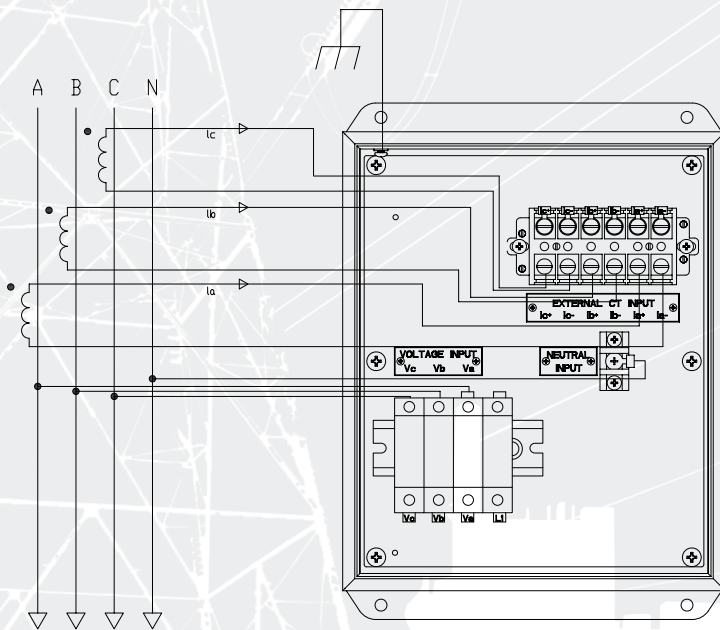


Key Lock Door Gasket Fused Voltage Inputs Control Power Transformer for 277 Volt Configuration Current Input Shorting Block

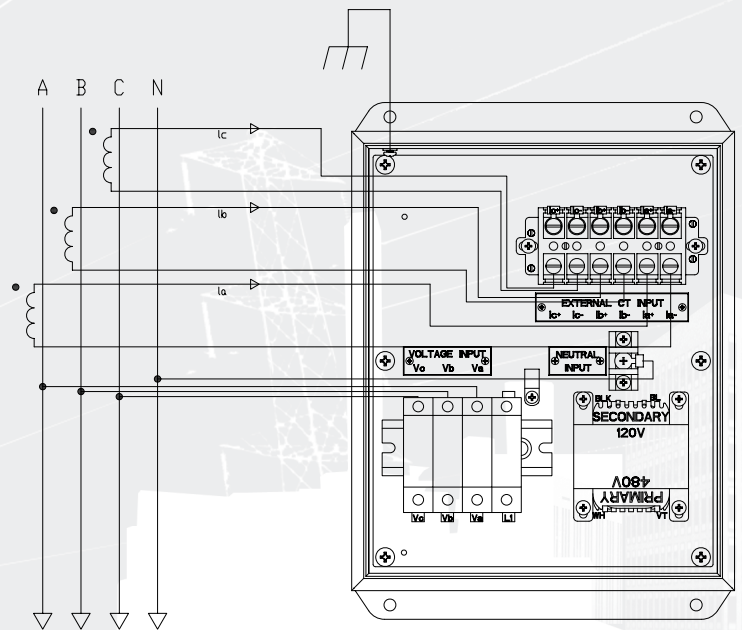
Shark® 200 or Shark® 250 advanced meters with datalogging and extensive I/O. It is offered in two voltage configurations:

- 277 V enclosure (comes equipped with a control power transformer)
- 120-240 V enclosure

WIRING DIAGRAMS

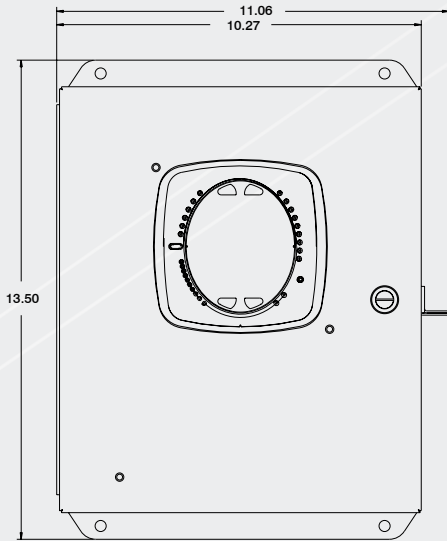


Wye Wiring for 120 V Model

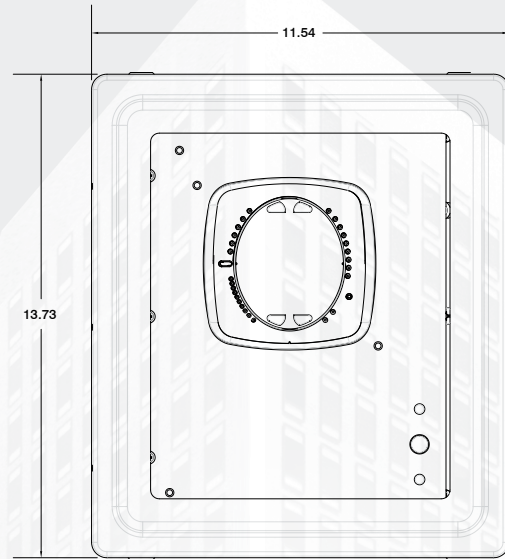


Wye Wiring for 277 V Model

DIMENSIONAL DRAWINGS



**NEMA 1 Enclosure
Front Dimensions**



**NEMA 4X Enclosure
Front Dimensions**

ORDERING INFORMATION

Shark® 50 in Self-Enclosed Meter Assembly

All fields must be filled in to create a valid part number.

Model	Voltage	V-Switch™ Pack	Communication
Option Numbers: <input type="text"/>	-	-	-
Example: ENC5HK50	- 277	- V2	- 485P
ENC5HK50 Shark® 50 in NEMA1 Enclosure	120 - (120 to 240) V	V1 Multifunction Meter Only	X None
ENC4XSHK50 Shark® 50 in NEMA 4X Enclosure	277 - 277 V	V2 V1 plus Power and Frequency	485P RS485 and KYZ Pulse Output
		V3 V2+Energy Counters	

Shark® 50B in Self-Enclosed Meter Assembly

All fields must be filled in to create a valid part number.

Model	Voltage
Option Numbers: <input type="text"/>	-
Example: ENC5HK50B	- 277
ENC5HK50B Shark® 50B in NEMA1 Enclosure	120 - (120 to 240) V
ENC4XSHK50B Shark® 50B in NEMA 4X Enclosure	277 - 277 V

Shark® 100 in Self-Enclosed Meter Assembly

All fields must be filled in to create a valid part number.

Model	Voltage	Frequency	Current Input	V-Switch™ Pack	Power Supply	Communication
Option Numbers: <input type="text"/>	-	-	-	-	-	-
Example: ENC5HK100	- 277	- 60	- 10	- V2	- D2	- 485P
ENC5HK100 Shark® 100 in NEMA1 Enclosure	120 - (120 to 240) V	50 50 Hz System	10 5 A Secondary	V1 Multifunction Meter Only	D2 Option Universal, (90 to 265) V AC @50/60 Hz or (100 to 370) V DC	X None
ENC4XSHK100 Shark® 100 in NEMA 4X Enclosure	277 - 277 V	60 60 Hz System	2 1 A Secondary	V2 V1+Power and Frequency		485P RS485 and KYZ Pulse Output
				V3 V2+DNP3 and Energy Counters		INP10 100BaseT Ethernet and KYZ Pulse Output
				V4 V3+Limits and Harmonics		

Shark® 100B in Self-Enclosed Meter Assembly

All fields must be filled in to create a valid part number.

Model	Voltage	Frequency	Current Input	Power Supply
Option Numbers:	-	-	-	-
Example:	ENC5HK100B	- 277	- 60	- 10 - D2
ENC5HK100B Shark® 100B in NEMA1 Enclosure	120 - (120 to 240) V	50 50 Hz System	10 5 A Secondary	D2 Option Universal, (90 to 265) VAC @50/60 Hz or (100 to 370) V DC
ENC4XSHK100B Shark® 100B in NEMA 4X Enclosure	277 - 277 V	60 60 Hz System	2 1 A Secondary	

Shark® 200 in Self-Enclosed Meter Assembly / Shark® 250 in Self-Enclosed Meter Assembly

All fields must be filled in to create a valid part number.

Model	Voltage	Frequency	Current Input	V-Switch™ Pack	Power Supply	I/O Slot 1	I/O Slot 2
Option Numbers:	-	-	-	-	-	-	-
Example:	ENC5HK200	- 277	- 60	- 10	- V2	- D2	- X - X
ENC5HK200 Shark® 200 in NEMA1 Enclosure	120 - (120 to 240) V	50 50 Hz System	10 5 A Secondary	200	D2 Option Universal, (90 to 265) V AC @50/60 Hz or (100 to 370) V DC	X None	X None
ENC4XSHK200 Shark® 200 in NEMA 4X Enclosure	277 - 277 V	60 60 Hz System	2 1 A Secondary	V1 Multifunction Meter Only		INP100S 10/100BaseT Ethernet	INP100S 10/100BaseT Ethernet
ENC5HK250 Shark® 250 in NEMA1 Enclosure				V2 Standard Data-Logging Memory		RO1S 2 Relay Outputs/ 2 Status Inputs	RO1S 2 Relay Outputs/ 2 Status Inputs
ENC4XSHK250 Shark® 250 in NEMA 4X Enclosure				V3 Power Quality Harmonics		PO1S 4 Pulse Outputs/ 4 Status Inputs	PO1S 4 Pulse Outputs/ 4 Status Inputs
				V4 V3+ Limits and Control Functions		1mAOS 4 Channel Analog Output 0-1 mA (Bidirectional)	1mAOS 4 Channel Analog Output 0-1 mA (Bidirectional)
				V5 V4+3 MB Data-Logging Memory and 64 Samples/Cycle Waveform Recorder		20mAOS 4 Channel Analog Output 4-20 mA	20mAOS 4 Channel Analog Output 4-20 mA
				V6 V4+4 MB Data-Logging Memory and 512 Samples/Cycle Waveform Recorder		FOSTS Fiber Optic Output ST Terminated	FOSTS Fiber Optic Output ST Terminated
				250		FOVPS Fiber Optic Output Versatile Link Terminated	FOVPS Fiber Optic Output Versatile Link Terminated
				V1 Measurement		INP300S IEC 61850 Protocol Ethernet	INP300S IEC 61850 Protocol Ethernet
				V2 V1+2 MB Standard Data-Logging Memory		* RS1S RS232/RS485 Comm Card	* RS1S RS232/RS485 Comm Card
				V3 V2+10 MB Memory and 128 Samples per Cycle Waveform Recording			
				V4 V3+128 MB Memory and 512 Samples per Cycle Waveform Recording			

* Applies only to Shark 250 meter.



Electro Industries/GaugeTech
1800 Shames Drive • Westbury, NY 11590
1-877-EIMETER (1-877-346-3837) • **E-Mail:** sales@electroind.com
Tel: 516-334-0870 • **Web Site:** www.electroind.com • **Fax:** 516-338-4741

<https://electroind.com/product-info/self-enclosed-shark-meter-assembly/>

