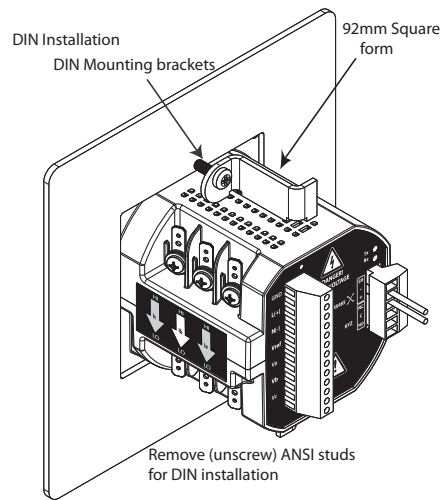
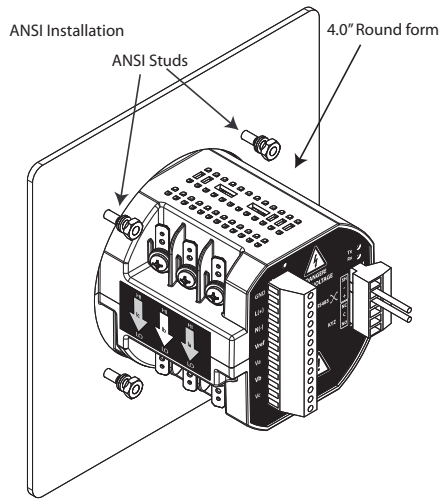


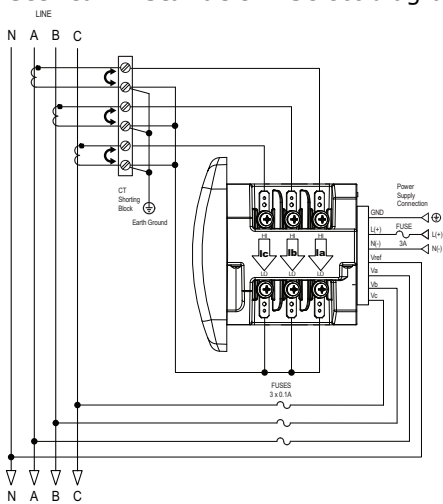
Shark® 50/50B Meter Quickstart Guide

Mechanical Installation **NOTE:** Do not overtighten nuts. The maximum installation torque is 0.4 Newton-Meter.

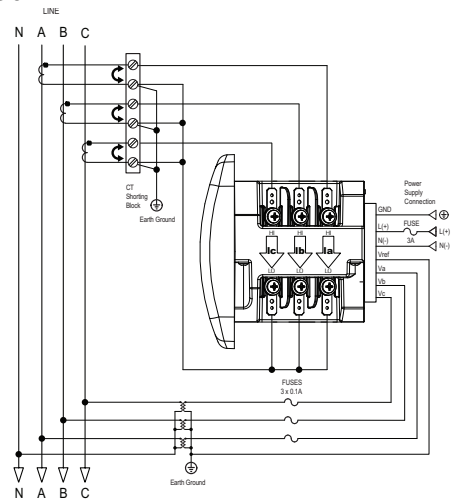


Note that the Shark® 50B backplate looks different than shown here, since it has both RJ45 and RS485 communication ports.

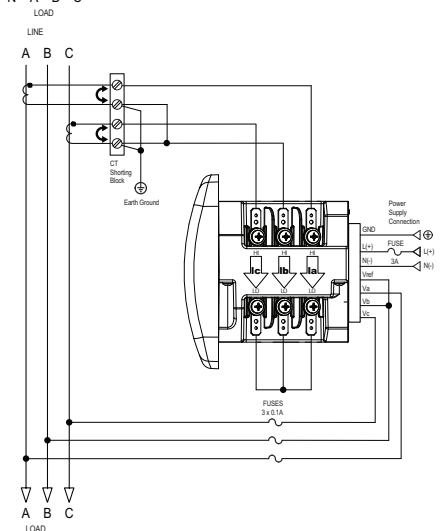
Electrical Installation: Select diagram to meet your application.



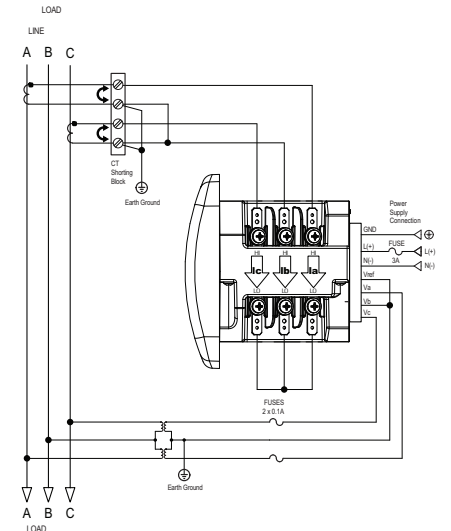
WYE direct, 3 phase, 4 wire



WYE with PTs, 3 phase, 4 wire



Delta direct, 3 phase, 3 wire



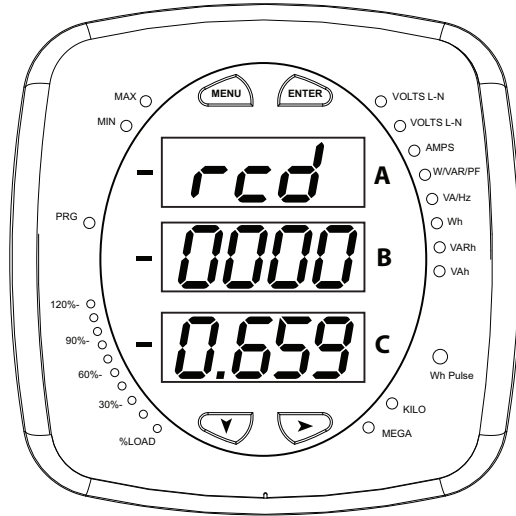
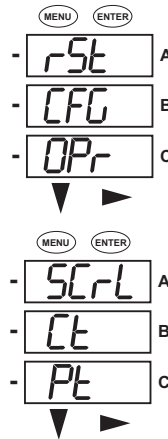
Delta with PTs, 3 phase, 3 wire

NOTE: Other wiring configurations are available. See the full manual on the enclosed CD.

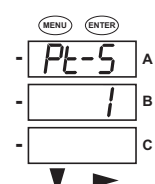
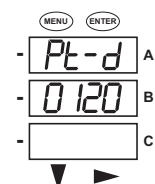
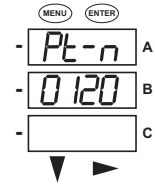
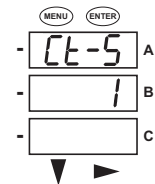
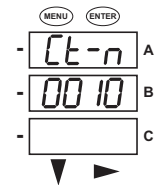
**Program Settings Using the Faceplate Buttons:
(MENU, ENTER, DOWN ARROW, RIGHT ARROW)
See the figure on the right for the location of the
faceplate buttons.**

Access Configuration Mode:

1. Push the **MENU** button - you will see the display on the right; rSt will be blinking.
2. Press the **DOWN ARROW** once. CFG (Configuration) moves to the top of the display.
3. Press the **ENTER** button. You will see the Configuration menu, shown on the right.

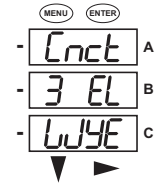


4. Press the **DOWN ARROW** and then press the **ENTER** button. You will see the CT numerator setting screen (Ct-n). The current CT numerator is shown in the second line. To change the setting, press the **DOWN ARROW** until the value you want is displayed. Then press the **RIGHT ARROW** to move to the next digit. Repeat until the setting is done.
5. Press the **ENTER** button to go to the CT denominator screen (CT-d). This setting is display only - it can't be changed.
6. Press the **ENTER** button to go to the CT Scaling setting screen (CT-S). The current Scaling is shown in the second line. Press the **DOWN ARROW** to choose another value. You can choose 1, 10, or 100.
7. Press the **ENTER** button to go to the PT numerator setting screen (Pt-n). The current PT numerator is shown in the second line. To change the setting, press the **DOWN ARROW** until the value you want is displayed. Then press the **RIGHT ARROW** to move to the next digit. Repeat until the setting is done.
8. Press the **ENTER** button to go to the PT-denominator screen (Pt-d). The current PT denominator is shown in the second line. To change the setting, press the **DOWN ARROW** until the value you want is displayed. Then press the **RIGHT ARROW** to move to the next digit. Repeat until the setting is done.
9. Press the **ENTER** button to go to the PT Scaling setting screen (PT-S). The current Scaling is shown in the second line. Press the **DOWN ARROW** to choose another value. You can choose 1, 10, 100, or 1000.



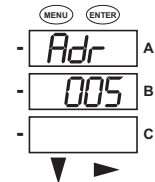
NOTE: See example CT and PT Settings on page QS-4.

10. Press the **ENTER** button to go to the Connection setting screen (Cnct). The current setting is shown in the second line. Press the **DOWN ARROW** to choose another value. You can choose 3 EL (element) WYE, 2 Ct del (Delta), or 2.5 EL WYE.



11. Press the **ENTER** button to go to the meter Address setting screen (Adr). The meter's current address is shown in the second line.

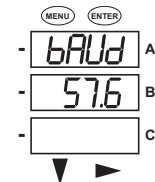
- If you have the Shark® 50 meter and you want to change the address, press the **DOWN ARROW** until the value you want is displayed. Then press the **RIGHT ARROW** to move to the next digit. Repeat until the setting is done. Valid addresses are from 001 through 247.



- If you have the Shark® 50B meter, do not change any settings - leave the address as 001.**

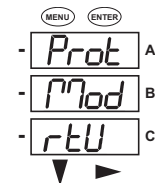
12. Press the **ENTER** button to go to the meter Baud Rate setting screen (bAUd). The meter's current Baud Rate is shown in the second line. Press the **DOWN ARROW** to choose another Baud Rate:

- If you have the Shark® 50 meter with the RS485 Option, choose 9600.
- If you have the Shark® 50B meter, do not change any settings - leave the Baud Rate as 57.6.**

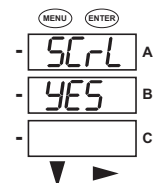


13. Press the **ENTER** button to go to the meter Protocol setting screen (Prot). The meter's current Protocol is shown in the second and third lines. Press the **DOWN ARROW** to choose another communication Protocol.

- If you have the Shark® 50 meter with the RS485 Option, leave the setting as Mod rtU (Modbus RTU).
- If you have the Shark® 50B meter, do not change any settings - leave the protocol as Mod rtU.**



14. Press the **ENTER** button to go to the Scroll setting screen (SCrL). The current setting is shown in the second line. Press the **DOWN ARROW** to choose another setting. You can choose YES (the meter readings will scroll on the display) or no (the meter readings will not scroll on the display).



15. Press the **MENU** button twice. You will see the Store Settings screen (Stor ALL?). The default setting is YES. To save the settings you've made, press the **ENTER** button. You will see the confirmation screen (Stor ALL done) and then the meter resets.



NOTE: If you do not want to save your settings, press the **RIGHT ARROW**. YES changes to no. Press the **ENTER** button.



**The Shark® 50B meter's communication settings are the default settings of Address 1, Baud Rate 57.6 and Protocol Mod rtU. See the *Shark® 100/100T/100B/100BT/50/50B Meter Installation and Operation Manual* on the enclosed CD for additional configuration instructions for the Shark® 50B meter's Ethernet port.

Example CT Settings:

- 200/5 amps: set the Ct-n value as 200, Ct-S value as 1.
- 800/5 amps: set the Ct-n value as 800, Ct-S value as 1.
- 2000/5 amps: set the Ct-n value as 2000, Ct-S value as 1
- 10,000/5 amps: set the Ct-n value as 1000, Ct-S value as 10.

Example PT Settings:

- 14400/120 volts: set the Pt-n value as 1440, Pt-d value as 120, Pt-S value as 10.
- 138000/69 volts: set the Pt-n value as 1380, Pt-d value as 69, Pt-S value as 100.
- 345000/115 volts: set the Pt-n value as 3450, Pt-d value as 115, Pt-S value as 100.
- 345000/69 volts: set the Pt-n value as 0345, Pt-d value as 69, Pt-S value as 1000.

NOTE: For additional wiring options and programming information, including using the Shark 50 meter's BACnet* MS/TP functionality, refer to the *Shark® 100/100T/100B/100BT/50/50B Meter Installation and Operation Manual* and the *Communicator EXT™ 4.0 and MeterManager EXT Software User Manual* on the enclosed CD.

Shark® is a registered trademark of Electro Industries/GaugeTech. The distinctive shape, style, and overall appearance of the Shark® meter is a trademark of Electro Industries/GaugeTech.

Communicator EXT™ is a trademark of Electro Industries/GaugeTech.

*BACnet is a registered trademark of ASHRAE.